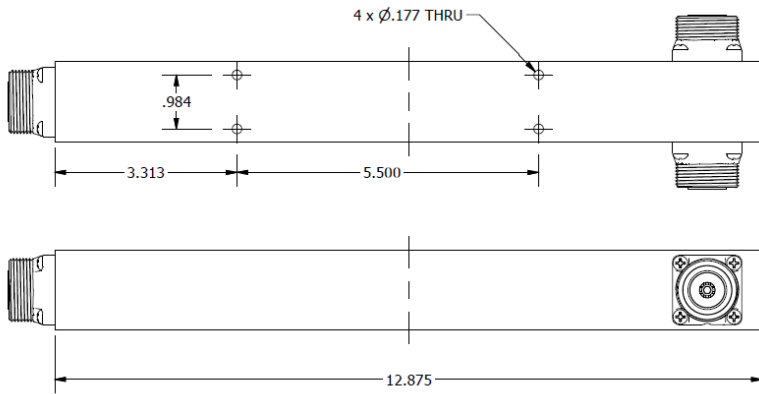


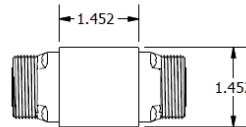
111-380-2700-2 is a broad band Low-PIM Reactive 2-Way Power Splitter, designed to evenly split high power signals between 380 MHz and 2700 MHz. Because of their rugged construction, they are indestructible and can be used in extreme weather and environmental conditions. They have mounting brackets that enable them to be easily mounted on structures. It also has a very low Insertion Loss with an outstanding VSWR at all three ports. Type-N and 7/16 DIN Connector options available.

FEATURES:

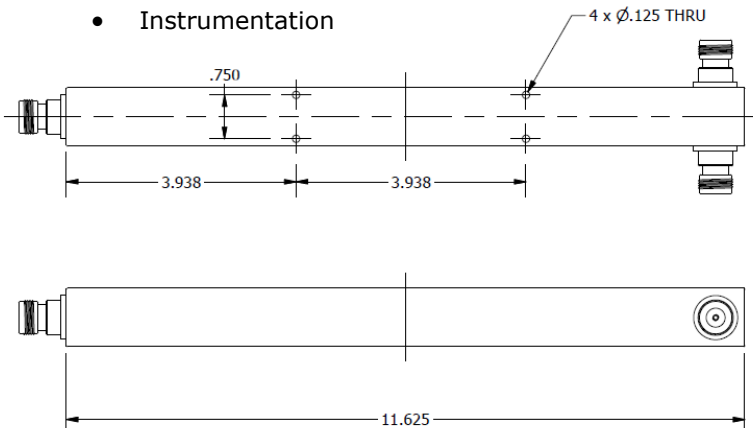
- Wide bandwidth, 380 MHz – 2700 MHz
- Superior Construction and High Power Handling
- Low-PIM of -157 dBc typical
- Low VSWR and Low Insertion Loss
- RoHS Complaint.
- Outdoor/Weather Resistant unit.
- In stock and Available Immediately


ORDERING INFO FOR 111-380-2700-2-X:

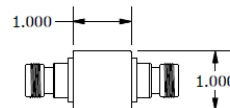
- 111-380-2700-2-N** --- Type-N Connector
111-380-2700-2-D --- 7/16 DIN Connector


APPLICATIONS:

- DAS
- Wi-Fi / WiMAX
- Cellular and GPS
- Communication Transmitter and Receiver
- Public Safety and ISM
- Instrumentation


SPECIFICATIONS:

- Frequency Range: 380 MHz – 2700 MHz
 Insertion Loss: 0.10 dB (Typ)
 (Over the theoretical loss of 3 dB)
 VSWR: < 1.20 (Typ)
 Power Handling: 500 W (Avg)
 Impedance: 50Ω
 PIM – 3rd: -157 dBc (Typ) (2Tone 43dBm each)
 Temperature Range: -55°C to 85°C
 Humidity: Up to 100%
 Environment: IP65 - Outdoor Use



Please contact our sales department at 914-230-4060 or sales@InnowaveRF.com for any custom requirements.
 © Innowave RF, LLC. All Rights Reserved. Specs can change without notice. Drawings are for reference purpose only.